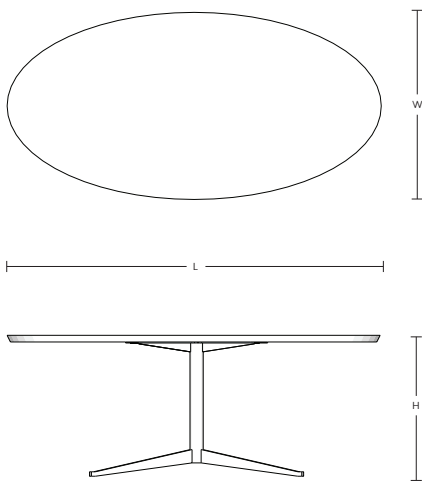




## ELLIPSE WORK TABLE



A pieced solid wood work table with a chamfered edge. Cable management can be concealed within the steel pedestal base.

Power and data options are available.

Shown: English elm + Black powder coated steel

AVAILABLE in most Urban Hardwoods material options and combinations.

DIMENSIONS - L x W x H

72" x 44" x 29" | 84" x 48" x 29" | 96" x 50" x 29"

Please inquire about custom sizes.

PLEASE CONTACT US FOR PRICING